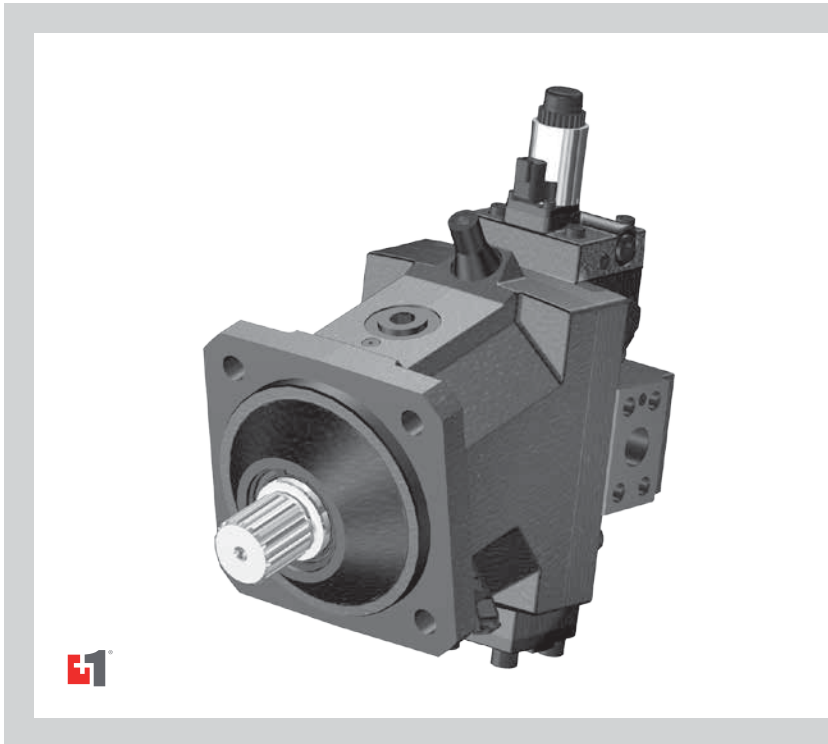


Data Sheet

# H1-The new Generation of Hydrostatics 060 cm<sup>3</sup> Bent Axis Variable Motor



For more than 40 years, Danfoss has been developing state-of-the-art components and systems for mobile machinery used in off-highway operations around the world. We have become a preferred supplier by offering the best of what really matters: The hardware inside your vehicle application.

H1 - our new generation of servo-controlled hydrostatic pumps and bent axis variable motors - is no exception. The H1 range is built around an advanced electrical control and available in a wide range of displacements. It is designed for quality and reliability and offers expanded functionality, greater total efficiency, and easy installation.

All H1 control and sensor options are PLUS+1 Compliant. PLUS+1 allows you to rapidly develop and customize electronic machine control. It opens up the future by combining machine controls and diagnostics in an integrated operating network.

**Features**

- **Designed for quality and reliability**
  - Proven and optimized 9 piston rotating group
  - Single piece housing
  - Electric components with IP67 & IP69K rating
- **Installation and packaging benefits**
  - Optimized for shortest length
  - Standardized connector interface
  - Integrated loop flushing device
  - Radial or axial high pressure ports
- **Optimized for electric control**
  - Electric Two-position Control
    - Pressure Compensator Override
    - Proportional Pressure Compensator Override
    - Brake Pressure Defeat option
  - Electric Proportional Control
  - Pressure Compensator Override
  - Brake Pressure Defeat option
- **Common controls across the entire motor family**
  - Plus+1 Compliant control and sensor options
- **Expanded functionality**
  - Zero degree capability together with a high performance 32 degree maximum angle
  - Enhanced control functions with proportional controls de-energized at minimum or maximum displacement
  - Optional integrated speed sensor with
    - Dual redundant speed sensing
    - Direction indication
    - Temperature sensing
    - Wire fault detection
- **Greater total efficiency**
  - Minimized losses
  - Improved at high flow conditions

Technical Specifications

Physical Properties

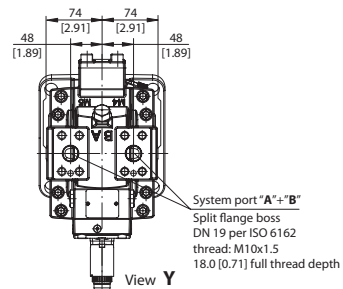
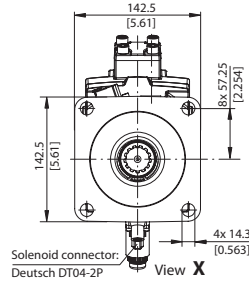
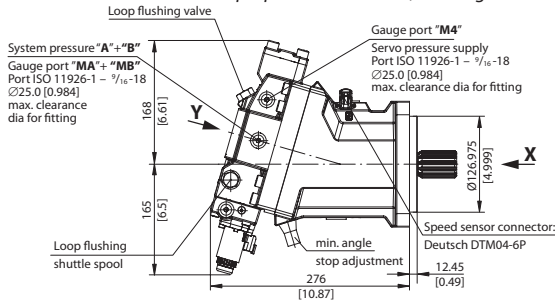
Features	Units	Size 060
Displacement	cm <sup>3</sup> [in <sup>3</sup> ]	060 [3.66]
<b>Weight</b> (with Electric Proportional Control)		
SAE ISO 3019/1		29.8 [65.8]
DIN ISO 3019/2	kg [lb]	28.3 [62.5]
Cartridge		26.9 [59.4]

Operating Parameters

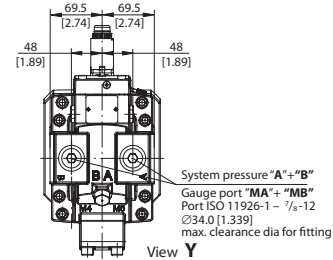
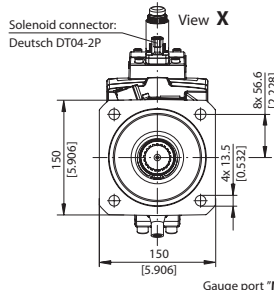
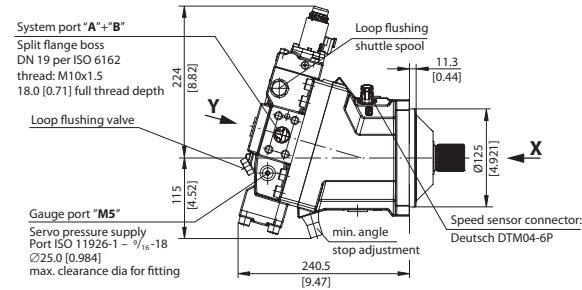
Output speed min-1 [rpm]	Rated	at max. displacement	3600
		at min. displacement (6°)	5900
		at 0° displacement	6600
	Maximum	at max. displacement	4500
		at min. displacement (6°)	7000
		at 0° displacement	7600
System pressure bar [psi]	Working		450 [6527]
	Maximum		480 [6960]
	Min. low loop		7.5 [109]
Case pressure bar [psi]	Rated		3 [44]
	Maximum		5 [73]
	Minimum		0.3 [4]

Installation Drawings

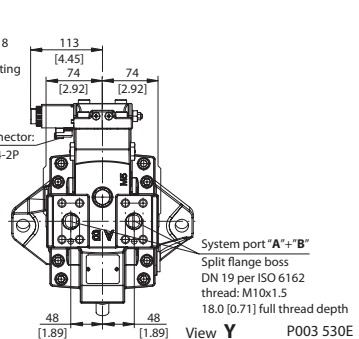
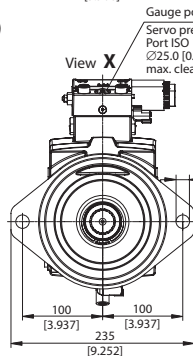
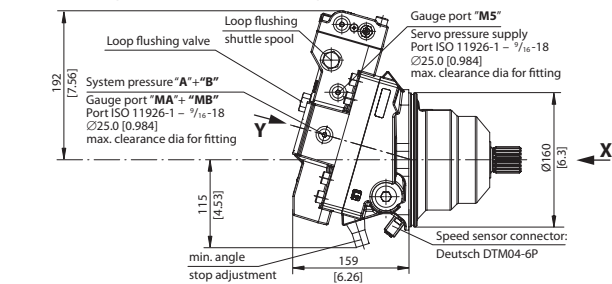
SAE ISO 3019/1 with Electric proportional control (de-energized = max. displacement)



DIN ISO 3019/2 with Electric proportional control (de-energized = min. displacement)



Cartridge with Electric two-position control (de-energized = min. displacement)  
Pressure compensator override, Brake pressure defeat



**Danfoss**  
Power Solutions US Company  
2800 East 13th Street  
Ames, IA 50010, USA  
Phone: +1 515 239 6000

**Danfoss**  
Power Solutions GmbH & Co. OHG  
Krokamp 35  
D-24539 Neumünster, Germany  
Phone: +49 4321 871 0

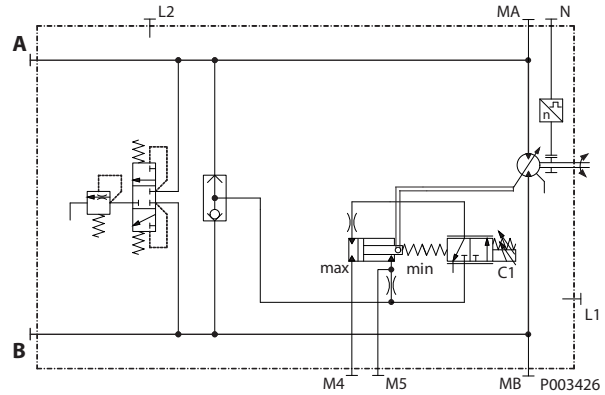
**Danfoss**  
Power Solutions ApS  
Nordborgvej 81  
DK-6430 Nordborg, Denmark  
Phone: +45 7488 2222

**Danfoss**  
Power Solutions  
22F, Block C, Yishan Rd  
Shanghai 200233, China  
Phone: +86 21 3418 5200

Schematic (example)

Electric Proportional Control

(de-energized = max. displacement)



Danfoss can accept no responsibility for possible errors in catalogues, brochures and other printed material. Danfoss reserves the right to alter its products without notice. This also applies to products already on order provided that such alterations can be made without consequential changes being necessary in specifications already agreed. All trademarks in this material are property of the respective companies. Danfoss and the Danfoss logotype are trademarks of Danfoss A/S. All rights reserved.