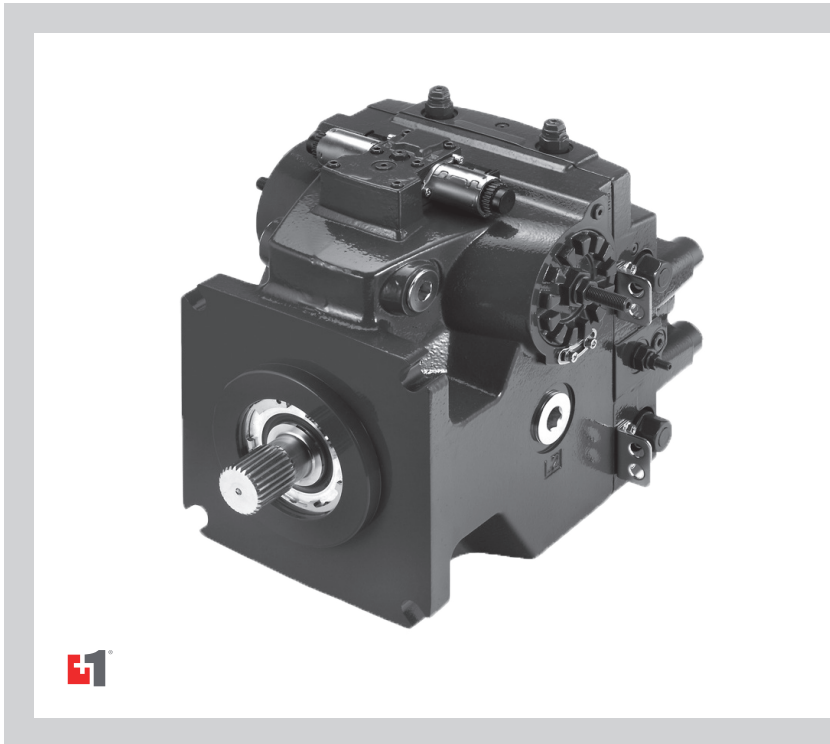




Data Sheet

H1 Axial Piston Pump

210/250 cm³ Single Pump



Introduction

For more than 40 years, Danfoss has been developing state-of-the-art components and systems for mobile machinery used in off-highway operations around the world. We have become a preferred supplier by offering the best of what really matters: The hardware inside your vehicle application. H1 - our new generation of servo-controlled hydrostatic pumps - is no exception.

The H1 range is built around an advanced electrical control and available in a wide range of displacements. It is designed for quality and reliability and offers expanded functionality, greater total efficiency, and easy installation.

All H1 control and sensor options are PLUS+1 Compliant.

PLUS+1[®] allows you to rapidly develop and customize electronic machine control. It opens up the future by combining machine controls and diagnostics in an integrated operating network.

Features

- Designed for quality and reliability
 - One design concept
 - Single piece swash plate
- Installation and packaging benefits
 - Length optimized pump
 - Minimum one clean side
 - Higher corner power
 - Higher package size ratio
 - Standardized connector interface
 - Expanded functionality through PLUS+1[®]
- Optimized for electrical control
 - Electro-hydraulic control options include Electrical Displacement Control (EDC)
 - Common control across entire family
- Expanded functionality
 - PLUS+1 Compliant control and sensor options
- Greater total efficiency
 - Minimized control losses
 - Improved charge circuit
 - Lower control pressure for less power consumption

Technical Specifications

Physical properties

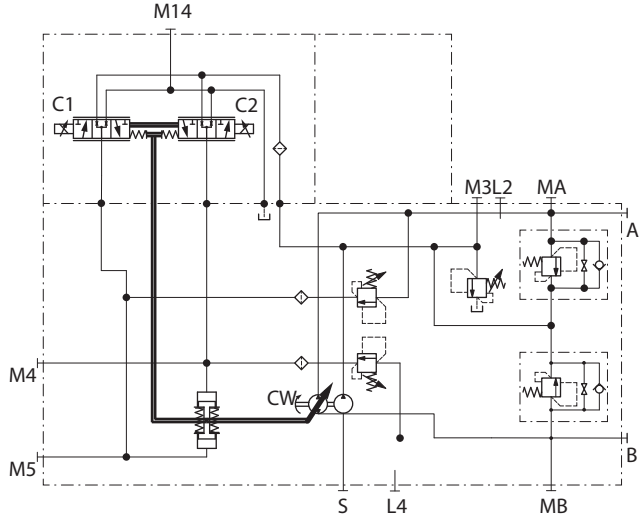
Features	Unit	Sizes	
		210	250
Displacement	cm ³ [in ³]	211.5 [12.91]	251.7 [15.36]
Weight (without PTO and filter)	kg [lb]	163 [360]	

Operating parameters

Input speed	Minimum	min-1 (rpm)	500
	Rated		2600
	Maximum		2800
System pressure	Maximum working pressure*	bar [psi]	450 [6525]
	Maximum pressure		480 [6960]
	Minimum low loop		10 [150]
Case pressure	Rated	bar [psi]	3.0 [40]
	Maximum		5.0 [75]

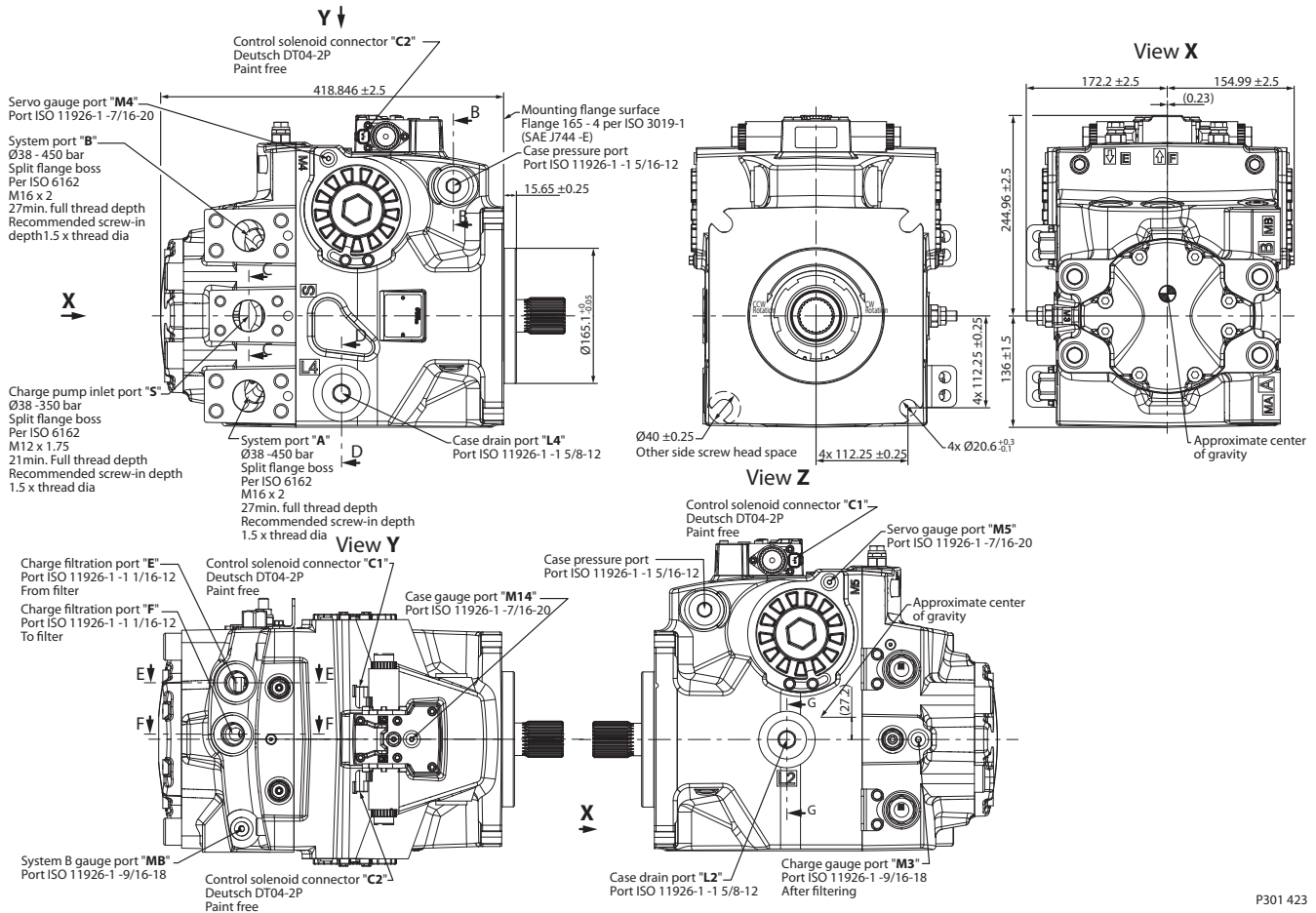
* Applied pressures above maximum working pressure requires Danfoss application approval. T301 096E

Schematic



P301 422

Dimensions



P301 423

Danfoss Power Solutions US Company
 2800 East 13th Street
 Ames, IA 50010, USA
 Phone: +1 515 239 6000

Danfoss Power Solutions GmbH & Co. OHG
 Krokamp 35
 D-24539 Neumünster, Germany
 Phone: +49 4321 871 0

Danfoss Power Solutions ApS
 Nordborgvej 81
 DK-6430 Nordborg, Denmark
 Phone: +45 7488 2222

Danfoss Power Solutions
 22F, Block C, Yishan Rd
 Shanghai 200233, China
 Phone: +86 21 3418 5200

Danfoss can accept no responsibility for possible errors in catalogues, brochures and other printed material. Danfoss reserves the right to alter its products without notice. This also applies to products already on order provided that such alterations can be made without consequential changes being necessary in specifications already agreed. All trademarks in this material are property of the respective companies. Danfoss and the Danfoss logotype are trademarks of Danfoss A/S. All rights reserved.