



IMPACT eZ IMPACT PNEUMATIC

BENEFITS

 Touch & Mark

 Multipurpose

 Affordable



ACCESSORIES & OPTIONS DISPONIBLES



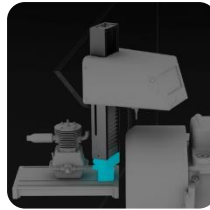
Rotary Device
RD1
RD2

Réf. 79254
79255



Kit magnetic
clamping +
plate holder

Réf. 79032



Rotatable riser
block
100 mm

Ref: 79034



LED lighting
*(optional for
impact)*

Réf. 79031



3D Stylus

Réf: 77021
Ref: 77022
Ref: 77023



Protective
bellows

Réf: 79261



Protective
boots

Réf. 79033



Kit anti-dust

Réf. 79262



Standard
footswitch

Réf. 52712



Industrial
footswitch

Réf. 52713



Control
panel

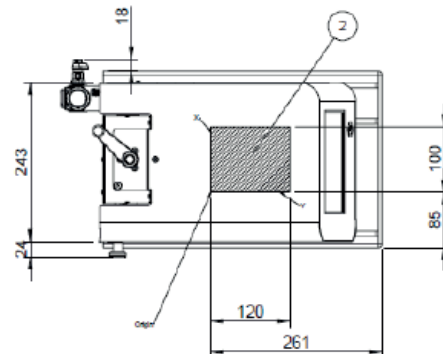
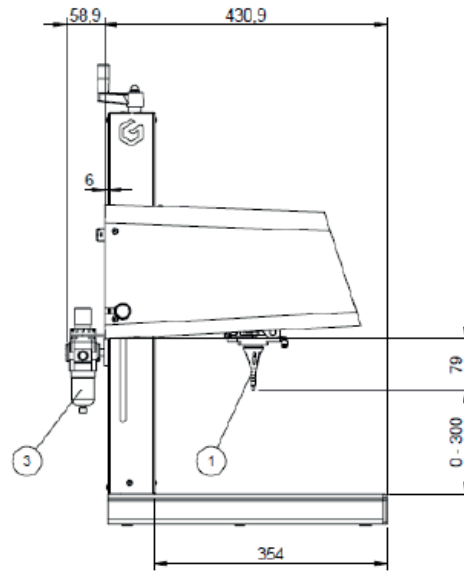
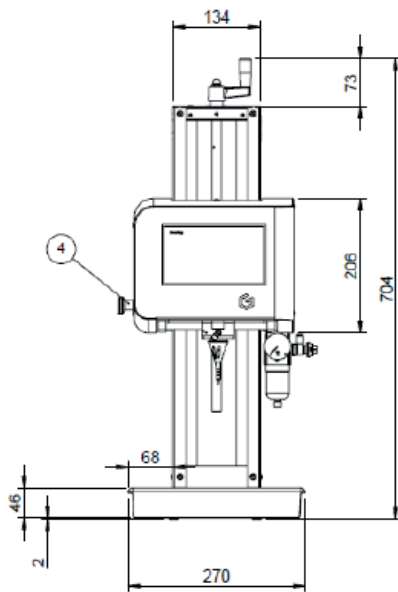
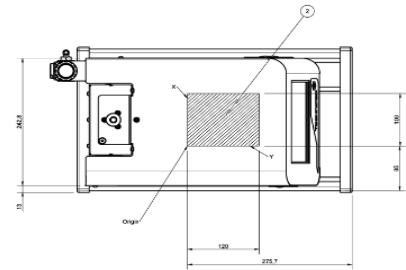
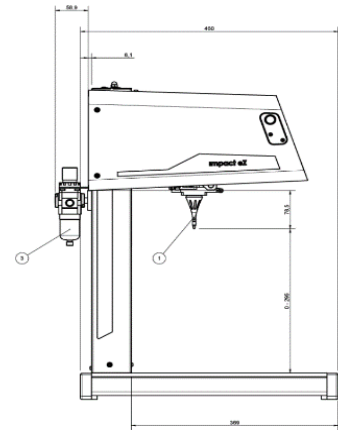
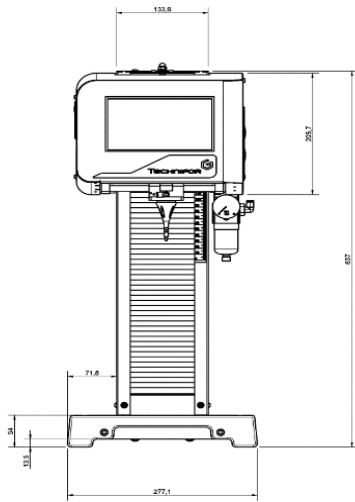
Réf. 52717



Marking
tools

Réf. Spare parts

TECHNICAL SPECIFICATIONS	IMPACT eZ	IMPACT
Technology	Pneumatic	
Electrical Supply	100 - 240 VAC	
Power	130 VA	
Power supply	100 V AC / 240 V AC - 50/60 Hz	
Compressed air supply	Nominal Operating Pressure 1- 6 Bar (14.504-87.023 PSI)	
Operating temperature	5 – 45 °C	
Operating mode	Independent or with PC	
MARKING SPECIFICATIONS		
Marking field	100 x 120 mm	
Maximum Displacement Speed	300 mm / sec	
Height of Characters	From 0.5 to 99 mm	
Marking Possibilities	Fixed Text/variable ; Dates ; Counters ; Code 2D ; DataMatrix ; Logos	
Font	Continuous dot or dot per dot (with 3D stylus)	
INTERFACE		
Connections	RS232 – USB – Ethernet TCP/IP – Dedicated Inputs/Ouputs	
Keyboard	External keyboard is optional	
Controlling	Software T08 included with a backlit screen	
PHYSICAL SPECIFICATIONS		
Weight	26 kg	
Column	Z-axis motorized-Path:300 mm	Manual



1 Oxygène
2 Oxygène
3 Oxygène