

A close-up photograph of a Sun hydraulics hydraulic valve assembly. The assembly is made of polished metal and features several hydraulic ports with blue O-rings. Two grey plastic solenoid actuators are mounted on top of the valve. The background is a soft, out-of-focus grey. An orange horizontal bar is positioned at the top of the image, serving as a background for the first part of the text.

smart

SOLUTIONS

for

DEMANDING

applications

You can count on Sun.

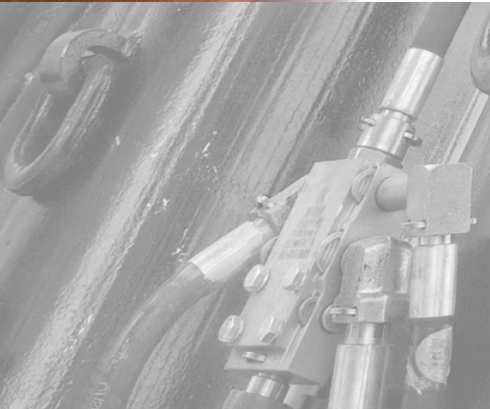
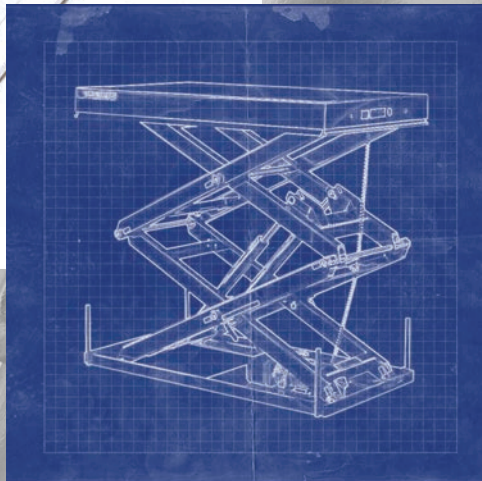
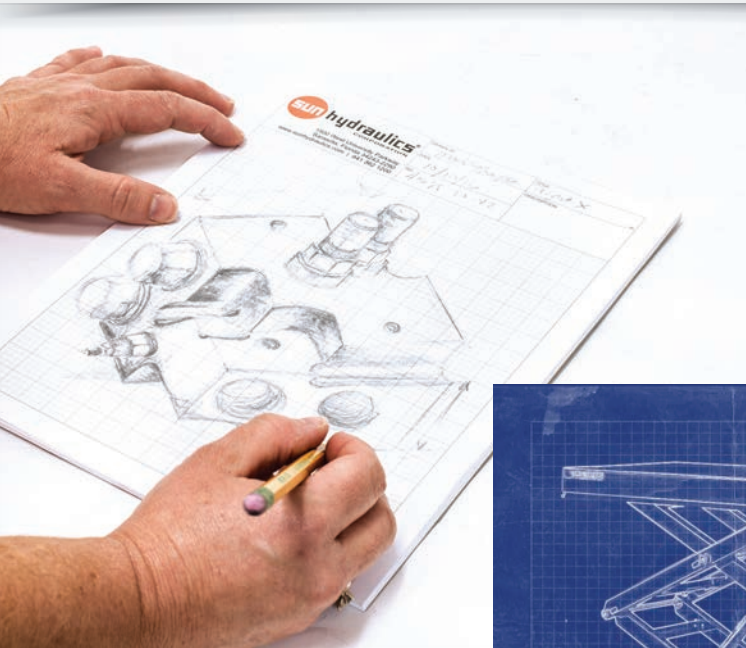
SUN hydraulics®

Take your next great idea...

If you can imagine it, we'll help you build it

Sun Hydraulics has what you need to turn your next concept into reality. We offer easy access to our world-class design and manufacturing resources, and we can build a solution just for you based on our high-quality, reliable cartridge valves and innovative 5-axis machining processes. You get compact manifolds with fewer construction plugs and more efficient flow paths using industry-leading valve technology from Sun Hydraulics.

Your trusted, reliable source for cartridge valves is also your go-to resource for hydraulic solutions.



...turn it into a great design...

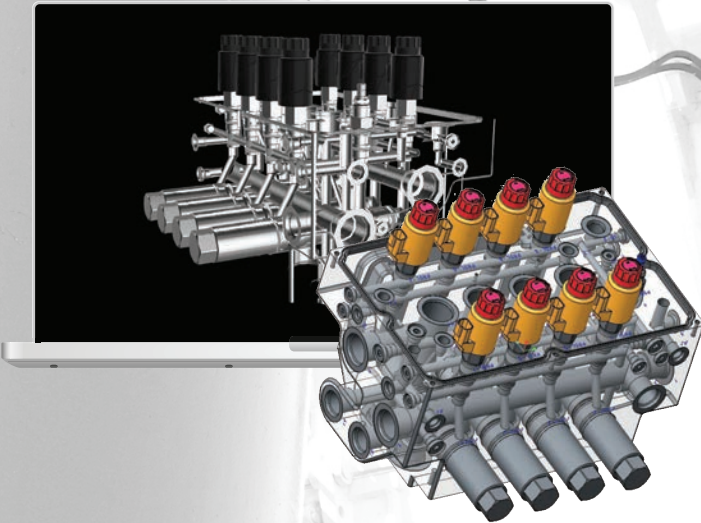
Design it yourself

QuickDesign with SmartConnect– Sun's free web-based automated design tool – provides drag-and-drop simplicity in a robust schematic capture tool. You get the tools you need to create an integrated package design and request a quote in a matter of minutes. It's the shortest distance from concept to solution.



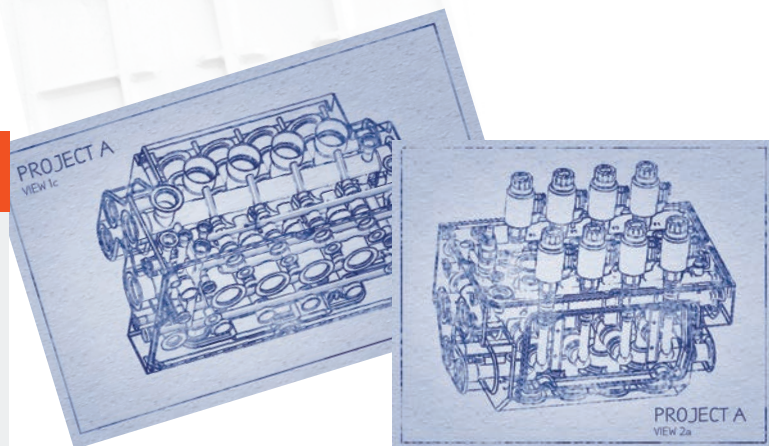
Let us design it for you

Our global applications design engineers provide engineering assistance and design evaluation, leveraging our 5-axis machining capabilities to produce optimized designs for more complex, high-volume applications. Working with a Sun engineer, you can get even more from your integrated package.

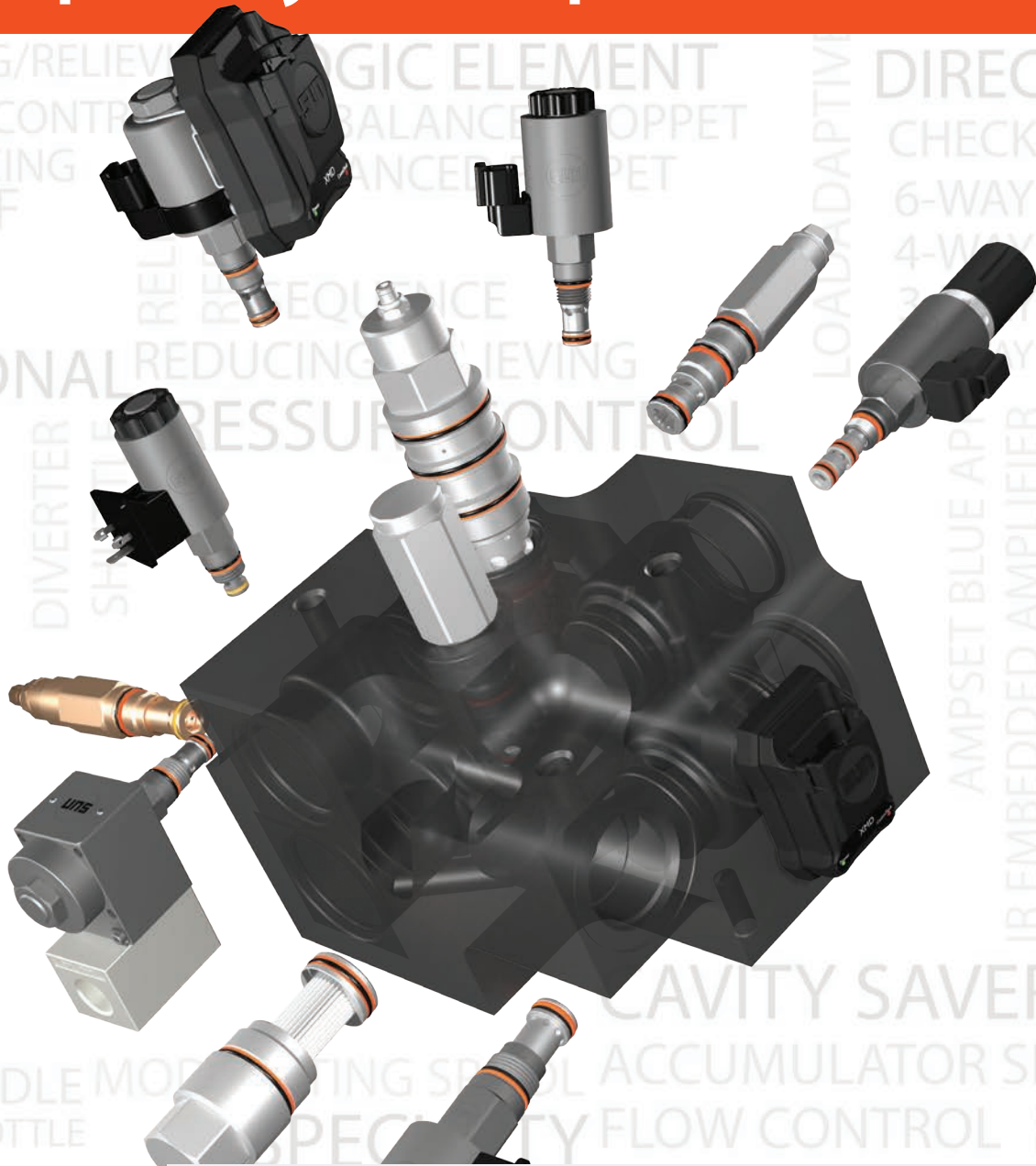


Choose an off-the-shelf solution

Sun offers hundreds of off-the-shelf assemblies aimed at providing efficient, effective solutions for common functions. Winch control, fan drive control, priority flow control and a wide range of standard manifold solutions can meet system needs with the click of a mouse. And we customize any of our solutions to meet specific application requirements.



...build it right with
quality components...



Solve the puzzle

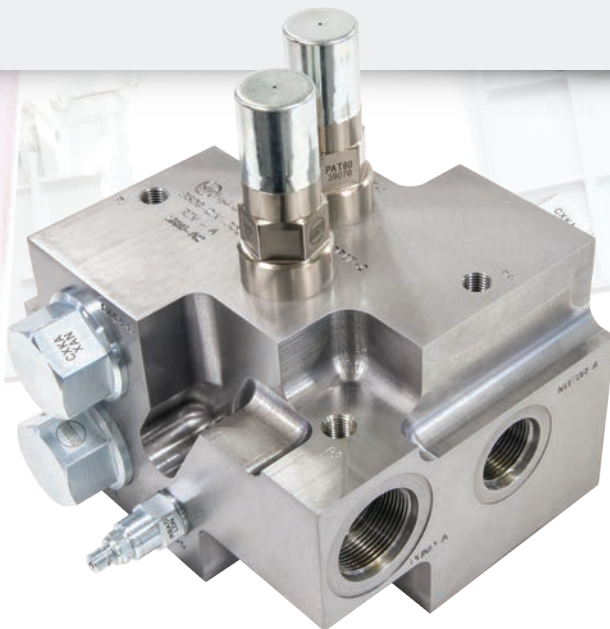
With a solid reputation of providing reliable, high-performance valves and a global network of engineering and applications specialists, Sun has the products and the know-how to address your most demanding applications and solve the most difficult of hydraulic puzzles no matter where you go. Our state-of-the-art electro-hydraulics and proven hydraulic control designs cover a huge range of needs in mobile and industrial markets.

...and turn it into a
great solution

Finish what you started

Whether you start with a napkin sketch, a QuickDesign schematic or a fully realized design, Sun Hydraulics can help you finish what you started and turn your concept into an integrated package solution.

If you have a concept to test, a design to optimize, or a high-volume production run to move quickly out to your customers, we should talk. Our global team of application specialists can deliver smart hydraulic solutions for demanding applications in any end market.



Global reach. Local support.



www.sunhydraulics.com

Sun Hydraulics Headquarters
Sarasota, Florida USA
+1 941 362 1200

Custom Fluidpower
(A Sun Hydraulics Company)
Newcastle, Australia
+61 02 4953 5777
sales@custom.com.au

Sun Hydraulics Limited
Coventry, England
+44 2476 217 400
salesuk@sunhydraulics.com

Sun Hydraulics Korea Corp.
Incheon, Korea
+82 3281 31350
sales@sunhydraulics.co.kr

Sun Hydraulik GmbH
Erkelenz, Germany
+49 2431 80910
salesde@sunhydraulics.com

Sun Hydraulics China Co. Ltd.
Shanghai, P.R. China
+86 2162 375885
sunchinainfo@sunhydraulics.com

Sun Hydraulics Corp. (India)
Bangalore, India
+91 8028 456325
sunindiainfo@sunhydraulics.com

Sun Hydraulics Corp. (S.America)
Rosario, Argentina
+54 9 341 584 3075
ventas@sunhydraulics.com