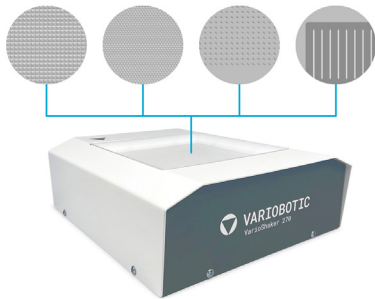


VarioShaker

Separate your bulk material as flexible as never before!

The VarioShaker is a component separator for feeding parts in the automation process.

Bulk material with a size of 0.5 mm - 100 mm can be flexibly supplied for further processing without any changes to the VarioShaker.



Quick-change vibratory plates

For many part geometries

Simple commissioning

Thanks to intuitive software



Robust technology

Almost maintenance free

Fast production changeover

Thanks to short changeover times



Also available as fully integrated pick and place cell

with collaborative robot or SCARA industrial robot



Reliable for industrial applications | Easy to install | Agile and flexible

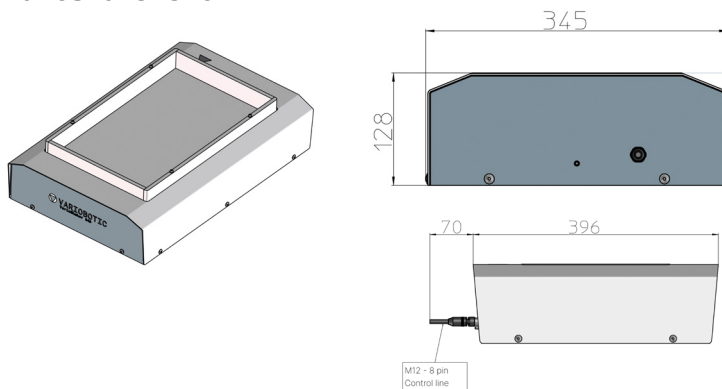
VarioShaker 270

VarioShaker 540

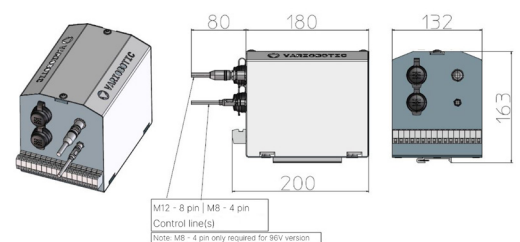
Usable Area	approx. 185 x 185 mm	approx. 475 x 290 mm
Material vibrating bowl	POM white	PE white
Recommended component size	0.5 to approx. 50 mm (further part sizes possible after testing)	20 to approx. 100 mm (further part sizes possible after testing)
Optional vibrating surfaces	Reduced area for smaller components, grooves, holes, elevations, structure, depressions (can be customized to your application)	On request
Dimensions	Approx. 400 x 340 x 127.5 mm (L x W x H)	Approx. 660 x 425 x 160 mm (L x W x H)
Temperature range	-5°C - 40°C	-5°C - 40°C
Weight	14.2kg	27.5 kg
Software	WebGUI via standard web browser	WebGUI via standard web browser
Power supply	+48 V / 2A +24V / 2A combine mass	+96V / 4A +24V / 4A combine mass
Inputs	1 entry start / stop 5 entries to choose programmed sequence 1 entry control input for transmitted light	1 entry start / stop 5 entries to choose programmed sequence 1 entry control input for transmitted light
Outputs	1 exit Ready 1 exit Busy 1 ext unassigned 1 exit Hopper on	1 exit Ready 1 exit Busy 1 ext unassigned 1 exit Hopper on
Output	Incident light (additional lighting, optional)	Incident light (additional lighting, optional)
Further connections	M12 cable (8-pin) 5m Control line between VarioShaker and control box Ethernet (TCP/IP) optional for control USB port for update WebGUI	M12 cable (8-pin) 5m Control line between VarioShaker and control box Ethernet (TCP/IP) optional for control USB port for update WebGUI

Dimensions

VarioShaker 540



Controlbox



VarioShaker 270

